

# TEKFA compression load cell

## Model RBC



TEKFA's stainless steel load cell, model RBC, is a compact and simple unit for solving many different weighing tasks. The RBC load cells are typically used in silos, tanks, platform scales, and various dosing systems.

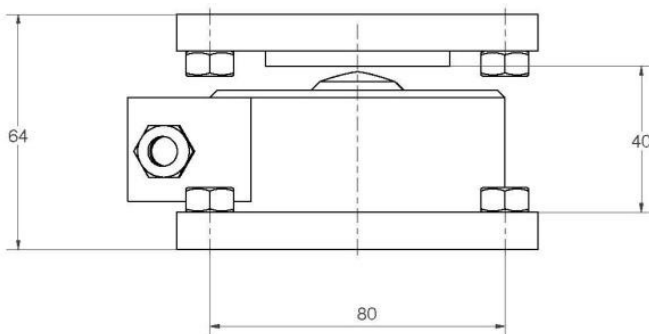
The load cell is made of stainless steel, and with an IP68 rating, the electronics are protected against both water and dust.

The RBC-series is produced with capacities of 5, 10, and 15 tons. The load cells can be connected to all common weighing amplifiers as well as TEKFA's instruments. TEKFA's weight indicators include everything from simple weighing transmitters and weight indicators to PLC and weighing computers with special programs designed for the individual customer.

Item no.	Capacity	Item no.	Capacity	Item no.	Capacity
RBC5000	5T	RBC10000	10T	RBC15000	15T

Specifications	
Rated output	1.8 ± 0.003 mV/V
Total error	±0.05% F.S.
Linearity (30 min.)	±0.05% F.S.
Zero balance	±1% F.S.
Input resistance	750 ± 20 Ω
Output resistance	702 ± 3 Ω
Insulation resistance	≥ 5000 MΩ
Temperature range	-30 - +70 C°
Safe overload	120% F.S.
Recommended supply	10-12V (VDC/VAC)
Maximum supply	15V (VDC/VAC)
Material	304 AISI
Protection rating	IP68
Standard cable length	5 meters
Net weight	1.3 kg

### Dimensions (sketching)



The height of 64 mm includes the isolation mount above and under the load cell.

### Colour code

