

# TEKFA compression load cell

## Model RBST



TEKFA's stainless steel load cell model RBST is particularly well-suited for the food industry, the chemical industry, and other demanding environments. The load cell is made of stainless, polished steel, and with an IP68 rating, the electronics are protected against both water and dust.

The RBST series is produced with capacities ranging from 150 kg to 15 tons. All TEKFA's load cells are standard-calibrated, meaning they have the same zero point, the same amplification of 1.8 mV/V, etc. Therefore, a load cell can be replaced with another of the same capacity without recalibrating the weighing system.

The load cells can be connected to all 350Ω full-bridge load amplifiers as well as TEKFA's instruments. TEKFA's weight indicators include everything from weight display and preselection instruments to PLCs and weighing computers with special programs.

Specifications	
Tolerance in % of maximum load	±0,1%
Amplification (nominal load mV/V)	1,8 ± 0,1%
Supply recommended (VDC or VAC)	10V
Supply max. (VDC or VAC)	15V
Impedance output (Ω)	350
Impedance input (Ω)	350-400
Operating temperature range (C°)	-30 - +70
Overload without effect	20%
Destructive overload	50%
Cable length (standard)	5 meters
Tightness	IP68
Material	AISI 304
Own weight incl. packaging	Approx. 3,5 kg

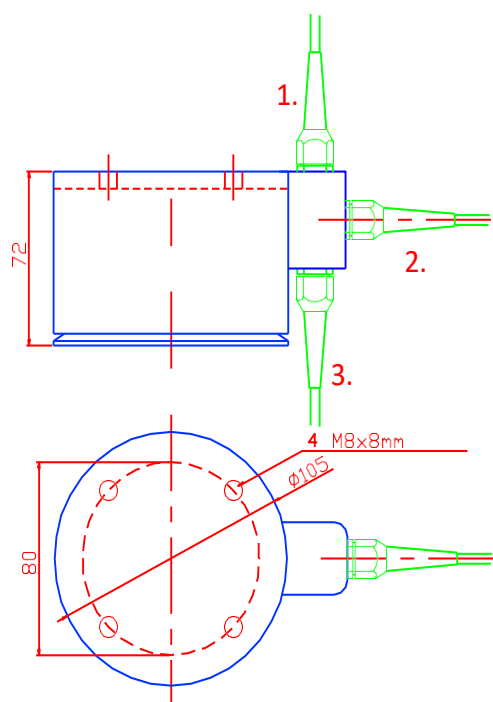
#### Extra accessories

Mount:	See data sheet on mount
Extra cable:	Extra length beyond 5 meters Armored cable including gland

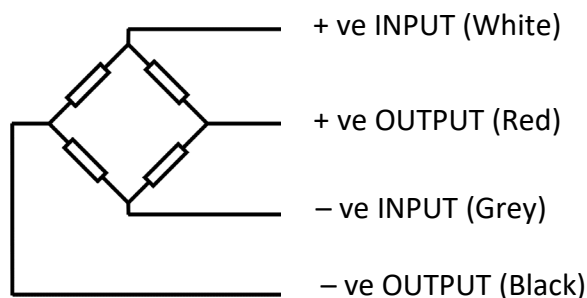
#### Placement of the cable gland (see drawing)

Type 1:	Standard version. The cable gland is vertical and points upwards as shown in the front photo.
Type 2:	The cable gland is horizontal.
Type 3:	The cable gland points vertically downwards.

### Dimensions (sketching)



### Colour code



Mounting point in the base plate:  $\phi = 6$  mm, D = 6 mm

Item no.	Capacity in kg	Item no.	Capacity in kg	Item no.	Capacity in kg
RBST001501	150	RBST003501	350	RBST010001	1,000
RBST001502	150	RBST003502	350	RBST010002	1,000
RBST001503	150	RBST003503	350	RBST010003	1,000
RBST001751	175	RBST005001	500	RBST015001	1,500
RBST001752	175	RBST005002	500	RBST015002	1,500
RBST001753	175	RBST005003	500	RBST015003	1,500
RBST002001	200	RBST006501	650	RBST020001	2,000
RBST002002	200	RBST006502	650	RBST020002	2,000
RBST002003	200	RBST006503	650	RBST020003	2,000
RBST002501	250	RBST007001	700	RBST022001	2,200
RBST002502	250	RBST007002	700	RBST022002	2,200
RBST002503	250	RBST007003	700	RBST022003	2,200

Item no.	Capacity in kg	Item no.	Capacity in kg
RBST035001	3,500	RBST100001	10,000
RBST035002	3,500	RBST100002	10,000
RBST035003	3,500	RBST100003	10,000
RBST050001	5,000	RBST125001	12,500
RBST050002	5,000	RBST125002	12,500
RBST050003	5,000	RBST125003	12,500
RBST070001	7,000	RBST150001	15,000
RBST070002	7,000	RBST150002	15,000
RBST070003	7,000	RBST150003	15,000

### Example

Load cell of type 2 with a capacity of 3,500 kg: RBST035002. Same capacity, but type 3: RBST035003.