

VM-TBS2

Weighing module



Equipped with load cell, capacity 500 kg – 5.000 kg
Stainless steel IP68, robust construction, OIML R60

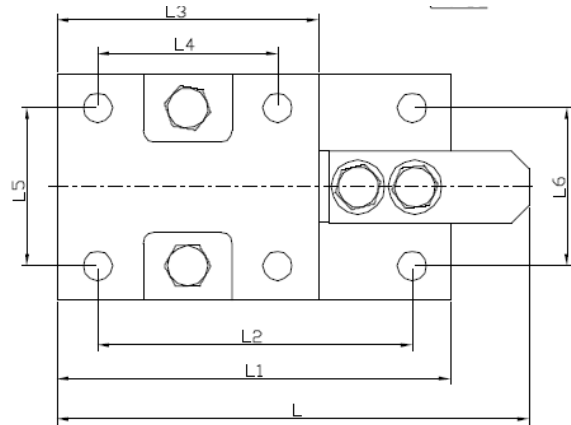
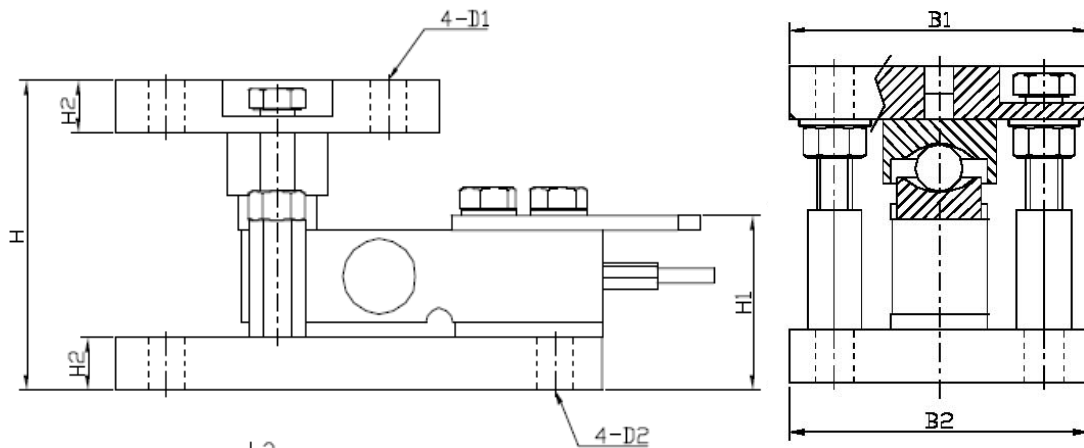
Easy to install and replace load cell

With anti-lift-off and overload stop

Ideal for silos, tanks and bins

Weighing module VM-TBS2 is with its simple design easy to install in new as well as in already existing weighing applications. The VM-TBS2 can be mounted with and without load cell, and thereby reducing the plant down-time to an absolute minimum and reducing the load cell damage. The weighing module is an integrated lift-off and overload system for weighing bins, tanks, silos and many other weighing vessels and applications. Vessel movements due to thermal effects are accommodated with no loss of performance or accuracy by means of VM-TBS2's built-in free motion load adaptor. The Load bearings surface have hardened finish.

A substantial protection plate is positioned above the cable gland to prevent damage by falling objects or misuse, e.g. as a convenient step point. Maximum safety protection from the effects of wind or accidental collision is built in. The heavy-duty earth straps ensure that no potential differences exist between upper and lower mounting plates. This low resistance cable also assists in preventing unwanted strong welding.



Type	VM-TBS2-500	VM-TBS2-750	VM-TBS2-1000	VM-TBS2-1500	VM-TBS2-2000	VM-TBS2-2500	VM-TBS2-3000	VM-TBS2-5000
Cap.	500 kg	750 kg	1000 kg	1500 kg	2000 kg	2500 kg	3000 kg	5000 kg
H	106	106	106	106	106	106	135	135
H1	58	58	58	58	58	58	73	73
H2	18	18	18	18	18	18	23	23
B1	100	100	100	100	100	100	160	160
B2	100	100	100	100	100	100	160	160
D1	Ø13	Ø13	Ø13	Ø13	Ø13	Ø13	Ø17	Ø17
D2	Ø13	Ø13	Ø13	Ø13	Ø13	Ø13	Ø17	Ø17
L	210	210	210	210	210	210	270	270
L1	175	175	175	175	175	175	235	235
L2	140	140	140	140	140	140	220	220
L3	116	116	116	116	116	116	150	150
L4	80	80	80	80	80	80	100	100
L5	70	70	70	70	70	70	90	90
L6	70	70	70	70	70	70	90	90